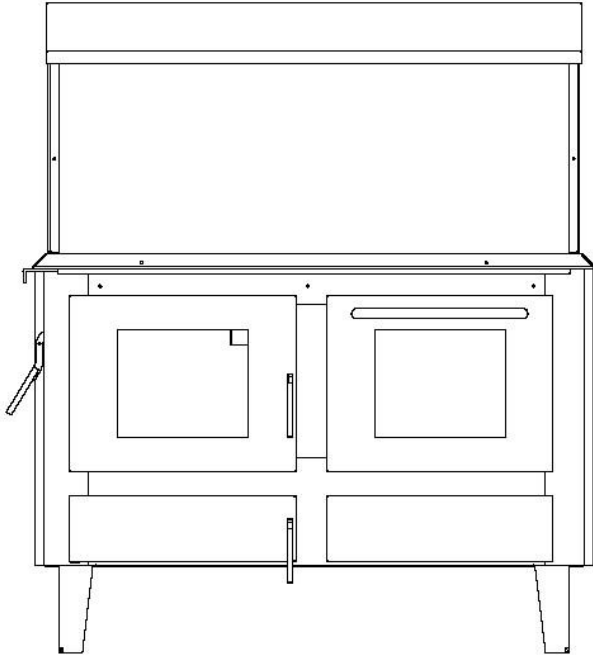


Owner's Manual
Stove Models 550,750 by Kitchen Queen, Inc.



Grand Comfort, Warm Comfort,
Ranger, Cabin Comfort, Castle
Comfort, Grand Queen, Regal
Comfort, Comfort Queen, Royal
Queen

Wood Cookstove Quality and Efficiency at it's best - Made in the USA

Thank you for purchasing a Kitchen Queen Amish manufactured Cookstove.

If you have any questions or comments, write us.

Kitchen Queen, Inc.
375 Fuller Rd.
Crofton, KY 42217

**SAVE THESE
INSTRUCTIONS**

CAUTION !!

Hot while in operation. Keep children, clothing, and furniture away. May cause skin burns.

DO NOT use chemicals or fluids to start the fire.

DO NOT burn garbage or flammable liquids.

DO NOT connect to any air distribution duct or system.

This stove is designed to only burn wood.

DO NOT REDUCE THE STOVE PIPE FROM THE STOVE TO THE CHIMNEY.

IMPORTANT: Check around oven chamber on a **weekly** basis for soot and creosote accumulation. Clean the chamber thoroughly from the top, side, and bottom with the rake (part #11) provided. Burn the stove hot daily to reduce creosote accumulation. Use only dry wood aged for one year.

The stove must be set on a non-combustible material

Only Type 1 (ember) floor protector standard UL1618 for USA or approved to the local codes R-Value = 0

Your stove must be installed on a non-combustible material plate to protect the floor and avoid fire that could be caused by:
Projections of sparks when door opening or loading logs.

The floor protector must not be cut or trimmed.

It must extend 16 inches beyond the front and 8 inches (200mm) beyond each side of the fuel loading and ash removing opening(s), and under the chimney connector and 2 inches (50 mm) beyond each side.

The Fire door and ash removal doors must remain closed when the stove is in operation.

CLEARANCE TO COMBUSTIBLES

Appliance Clearances	Unprotected Surfaces				Protected Surfaces		
	Parallel			Corner	Parallel		Corner
	Fire Side	Oven Side	Rear		Side	Rear	
	6 in	6 in	8 in	6 in	6 in	8in	6 in

Single Wall stove pipe requires 18 inch clearance to combustible material.

The minimum installation clearances for certified double-wall or insulated flue pipes are much less than those for single-wall pipes. The clearance information is found on the labels attached to the pipe and in the manufacturer's installation instructions.

Chimney	Unprotected Surfaces Single wall pipe	Protected Surfaces (NFPA-211)
Connector	18 in	6 in

The stove is not to be installed in restrictive air space installations, i.e., alcoves, which prevents the flow of air around and under the stove.

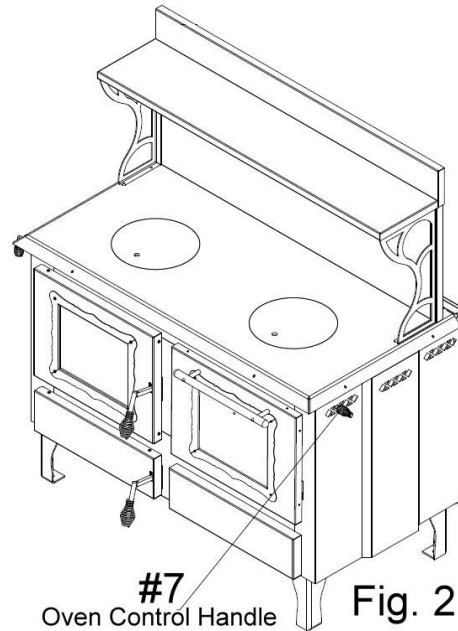
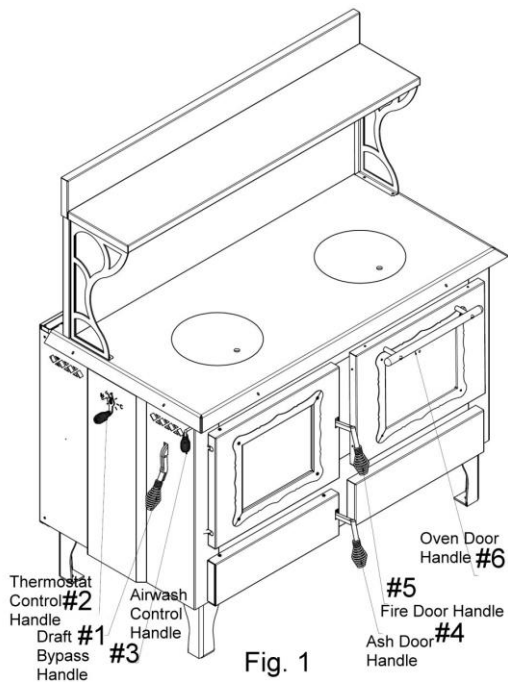
STARTING YOUR FIRST FIRE

The stove top is treated with an anti-rust agent. Using a good degreaser and water, thoroughly wash the top before starting a fire.

Open the direct smoke outlet all the way by moving the large handle in the Firebox side all the way to the left Fig.1 control #1. This will allow smoke and gases to travel directly into the chimney. This will increase the draft to the firebox and reduce the tendency to smoke while the chimney is still cold.

Open the draft control on the side of the stove Fig.1 control #2. Open the air wash by pulling it out. Fig.1 control #3. Now the stove is wide open.

After the fire is burning for several minutes, and the stove and flue are warm, close Fig.1 control #1.



USING THE OVEN

To heat the oven, be sure that the little handle on the right hand side of the stove is pulled all the way out Fig.2 control #7. This will direct the heat around the oven. Open the thermostat control mid-way until you have a hot fire Fig.1 control #2. Then adjust it to achieve the desired fire burn rate. The oven comes with two nickel-plated racks that can be adjusted to any of four different locations to get the desired space. The bottom of the oven is removable and it can be used as a testing shelf.

If the oven does not respond properly, your chimney is most likely not drawing as it should or the space under the oven needs to be cleaned out. Check for obstructions that may be reducing your draft. Consulting a professional chimney sweep may be advisable.

The temperature registered by the oven door thermometer may not necessarily correspond with the reading taken with the thermometer inside the oven. For accurate oven temperatures, refer to the interior oven thermometer. Good safety practices: Educate your family members:

- 1) Before burning the stove, have each family member read this manual and be aware of safety practices;
- 2) Keep children, clothing, and furniture away from the stove.
- 3) The stove is **HOT** while in operation – **DO NOT TOUCH** the stove, because contact may burns;
- 4) Keep a fire extinguisher nearby, and have a clearly understood plan on how to extinguish a fire.

INSTRUCTIONS

Assembly and Installation for Models 550 -750

Remove the stove from shipping crate (if crated) by removing the three leg bolts. Remove all wooden or paper packaging material, being careful not to pry against the sides of the stove as scratching or chipping may result.

- 1) Inspect the stove for possible damage and notify your freight carrier immediately if any damage has occurred.
- 2) Remove all loose parts from the firebox and oven.
- 3) The firebrick, doors, and lids can be removed to make the stove lighter for moving.
- 4) Move your stove to the desired location and on top of a class 1 floor protector. The floor protector may not be installed on a carpeted surface.
- 5) The left rear leg is adjustable. Screw the adjusting bolt down until the stove stands solidly.

Fasten the stainless steel rods - towel bars see Fig. 3 to the front and sides of the stove using the 1-1/4 spacers and secure with the 6-1/4 x 2-1/2 stove bolts. The bolts and spacers are inside the long rod.

Be sure to understand your new stove instructions by reading them several times. Installation must comply with all local and national building codes. The proper authorities (i.e. the municipal building department, fire department or fire prevention bureau) should be consulted before installation to determine the need to obtain a permit. If the stove is not properly installed, a house fire may result. To reduce the risk of fire, follow the installation instructions. Failure to follow instructions may result in property damage, bodily injury or even death.

Use 24 Gage black or blue chimney connector or U.L. listed insulated or double wall connector. The steel 1/4 x 1-1/4 flue collar at the rear center of the stove accepts a 6-inch pipe, crimped end down. A chimney height of at least 15 feet measured from the floor on which the stove stands is required. The chimney must be in good condition and installed according to manufacturer's instructions. The stove must be connected to a chimney complying with the requirements for type HT (2,100 degrees F) chimneys per UL 103 or ULCS629 or a code-approved masonry with a flue liner. (See page 9) The chimney size should be 2 times greater than the cross-sectional area of the flue collar.

CREOSOTE AND NEED FOR REMOVAL

When wood is burned slowly, it produces tar and other organic vapors, which combine with expelled moisture to form creosote. The creosote vapors condense in the relatively cool chimney flue of a slow-burning fire. As a result, creosote residues accumulate on the flue liner. When ignited, this creosote makes an extremely hot fire. The chimney connector and chimney should be inspected at least every 2 months during the heating season to determine if a creosote buildup has occurred. If creosote has accumulated, it should be removed to reduce the risk of a chimney fire.

ASHES

Before adding more wood, you should rake the ashes with the poker to break up any clods and cause the fire ashes to sift down into the ash pan. Always allow a couple inches of ashes to remain on the grate. This will result in better efficiency and finer, more cleanly burned-up ashes.

Ashes should be placed in a metal container with a tight-fitting lid. The closed container of ashes should be placed on a non-combustible floor or on the ground well away from all combustible materials pending final disposal. If ashes are disposed of by burial in the soil, or otherwise locally disposed of, they should be retained in the closed container until all cinders have thoroughly cooled.

MAINTENANCE OF YOUR STOVE

Clean the top daily. You may use soap and water for initial cleaning. Follow up with emery cloth to maintain a smooth, glossy finish. The top will blue and finally turn black, which is normal. If it is properly cared for, it will remain smooth and shiny.

When the stove is not in use for more than a couple of days, coat with a light oil to prevent rust. It will rust if left uncoated when the stove is cold.

The porcelain is easily cleaned with soap and water.

DO NOT CLEAN THE PORCELAIN WITH OVEN CLEANER; IT WILL RUIN THE FINISH.

Save These Instructions

Keep the manual available for future reference. The manual is an important part of your stove. If your stove is sold, deliver the manual to the new owner along with the stove.

The quality of the installation (especially the chimney connector and chimney), and the quality of the fuel being burned will affect the performance of your stove, but the most important factor is the way you operate the stove. Be sure to read it entirely, including the terms of reference and function.

Spend some time becoming familiar with the various parts by operating them before you burn your stove.

— FOR YOUR SAFETY—

DO NOT STORE OR USE GASOLINE OR OTHER FLAMMABLE VAPOURS OR LIQUIDS IN THE VICINITY OF THIS STOVE.

Stove Location - If the range must be located near a window, avoid using long curtains which could blow over the stove top, causing a fire hazard.

Any openings in the wall behind the stove or in the floor under the range must be sealed.

Do not set unopened glass or metal containers in the oven or in the warming cabinet, or on the cooking surface.

Clean the oven compartment regularly.

Do not attempt to extinguish a grease fire with water. Cover grease fires with a pot lid or baking soda.

Avoid the use of aerosol containers near the range.

SOME ADDITIONAL TIPS

Never reduce the stovepipe from the stove to the chimney. It will reduce the efficiency of the stove and you might have trouble getting the baker hot.

Avoid horizontal pipes as much as possible and keep them as short as you can. Sloping pipes are much better than flat pipes.

When building a fire, always let the fire burn hot for a while before shutting it down. This will help in reducing creosote buildup and liquid creosote.

Using big pieces of wood will not burn fast or hot. Split them down some. The wetter the wood, the smaller it must be split. Use the big chunks for overnight burns.

If the stove is not in use, coat it with a light oil and check it periodically to make sure it's not rusting. Do not elevate fire; build wood fire directly on firebox hearth.

Woodburning

The firewood you use will make an important contribution to successful operation. You will achieve the best performance and overall efficiency by burning firewood that has been split, stacked and air-dried undercover from rain for at least one year. Burning improperly seasoned or “green” wood can be a frustrating experience leading to poor performance, smoky fires and a build-up of creosote. Do not burn saltwater driftwood refuse, rubber tires, etc. Use of improper fuels can cause a fire hazard and lead to a premature deterioration of the stove components, voiding the warranty. Combustion.)

Burn dry wood because:

- it gives up to 25% higher efficiency;
- it produces less creosote;
- it ignites faster and smokes less;
- valuable heat is lost in the fire as it dries out wet wood.

The chimney is the most important element of successful stove operation.

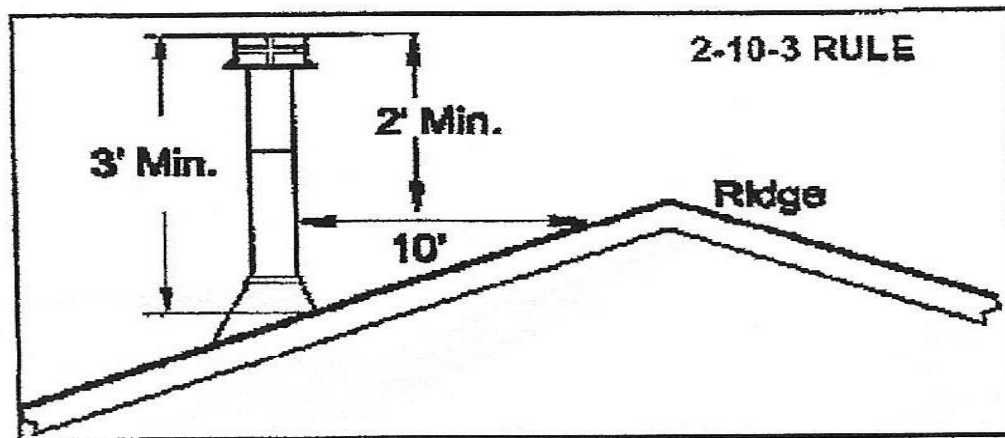
Performance of your woodburning system depends more on the chimney than on any other single component.

The chimney ‘drives’ the system by producing the draft that draws in combustion air and exhausts smoke and gases to outdoors.

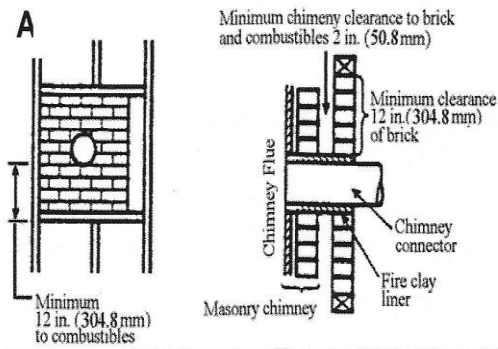
When installing a new woodburning system or upgrading an existing one, give as much attention to the chimney as you do to the appliance that it serves.

Chimney Height 2-10-3 RULE

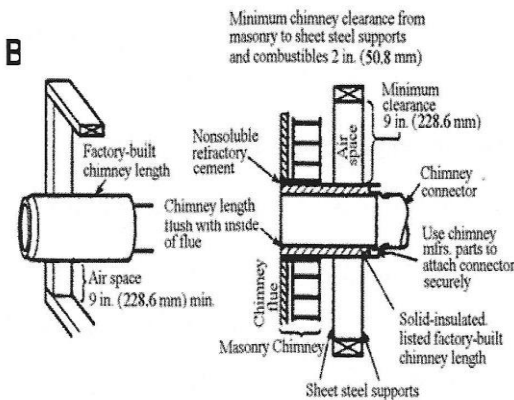
A masonry chimney or a listed factory-build chimney must be the required height above the roof and any other nearby obstructions. The chimney must be at least 3’ (90 cm) higher than the highest point where it passes through the roof and at least 2’ (60 cm) higher than the highest point of the roof or structure that is within 10’ (305 cm) of the chimney, measured horizontally.



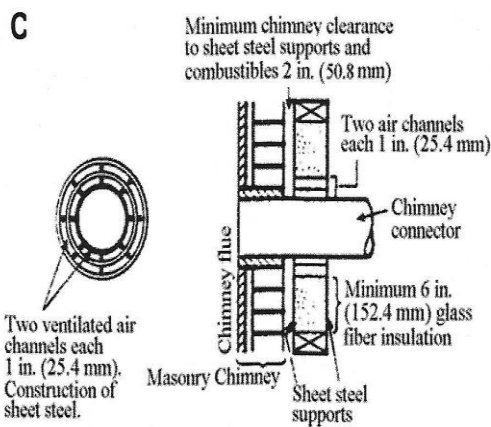
Combustible Wall Chimney Connector Pass - Throughs



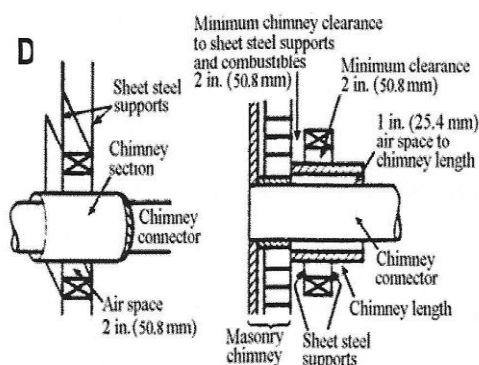
Method A. 12" (304.8 mm) Clearance to Combustible Wall Member: Using a minimum thickness 3.5" (89 mm) brick and a 5/8" (15.9 mm) minimum wall thickness clay liner, construct a wall pass-through. The clay liner must conform to ASTM C315 (Standard Specification for Clay Fire Linings) or its equivalent. Keep a minimum of 12" (304.8 mm) of brick masonry between the clay liner and wall combustibles. The clay liner shall run from the brick masonry outer surface to the inner surface of the chimney flue liner but not past the inner surface. Firmly grout or cement the clay liner in place to the chimney flue liner.



Method B. 9" (228.6 mm) Clearance to Combustible Wall Member: Using a 6" (152.4 mm) inside diameter, listed, factory-built Solid-Pak chimney section with insulation of 1" (25.4 mm) or more, build a wall pass-through with a minimum 9" (228.6 mm) air space between the outer wall of the chimney length and wall combustibles. Use sheet metal supports fastened securely to wall surfaces on all sides, to maintain the 9" (228.6 mm) air space. When fastening supports to chimney length, do not penetrate the chimney liner (the inside wall of the Solid-Pak chimney). The inner end of the Solid-Pak chimney section shall be flush with the inside of the masonry chimney flue, and sealed with a non-water soluble refractory cement. Use this cement to also seal to the brick masonry penetration.



Method C. 6" (152.4 mm) Clearance to Combustible Wall Member: Starting with a minimum 24 gage (.024" [.61 mm]) 6" (152.4 mm) metal chimney connector, and a minimum 24 gage ventilated wall thimble which has two air channels of 1" (25.4 mm) each, construct a wall pass-through. There shall be a minimum 6" (152.4 mm) separation area containing fiberglass insulation, from the outer surface of the wall thimble to wall combustibles. Support the wall thimble, and cover its opening with a 24- gage minimum sheet metal support. Maintain the 6" (152.4 mm) space. There should also be a support sized to fit and hold the metal chimney connector. See that the supports are fastened securely to wall surfaces on all sides. Make sure fasteners used to secure the metal chimney connector do not penetrate chimney flue liner.



Method D. 2" (50.8 mm) Clearance to Combustible Wall Member: Start with a solid-pak listed factory built chimney section at least 12" (304 mm) long, with insulation of 1" (25.4 mm) or more, and an inside diameter of 8" (2 inches [51 mm] larger than the 6" [152.4 mm] chimney connector). Use this as a pass-through for a minimum 24gage single wall steel chimney connector. Keep solid-pak section concentric with and spaced 1" (25.4 mm) off the chimney connector by way of sheet metal support plates at both ends of chimney section. Cover opening with and support chimney section on both sides with 24 gage minimum sheet metal supports. See that the supports are fastened securely to wall surfaces on all sides. Make sure fasteners used to secure chimney flue liner.

NOTES:

1. Connectors to a masonry chimney, excepting method B, shall extend in one continuous section through the wall pass-through system and the chimney wall, to but not past the inner flue liner face.
2. A chimney connector shall not pass through an attic or roof space, closet or similar concealed space, or a floor, or ceiling.

**DO NOT CONNECT THIS UNIT TO A CHIMNEY FLUE SERVING ANOTHER APPLIANCE.
DO NOT CONNECT TO ANY AIR DISTRIBUTION DUCT OR SYSTEM.**

This wood stove must be connected to a 6” factory-built UL 103 HT chimney (ULC S629 in Canada) or a code-approved masonry chimney with a flue liner.

Online technical how to videos as well as how to cooking videos and info can be found at.

www.Kitchenqueen.com



www.Antiquestoves.com
www.Antiquestoves.us

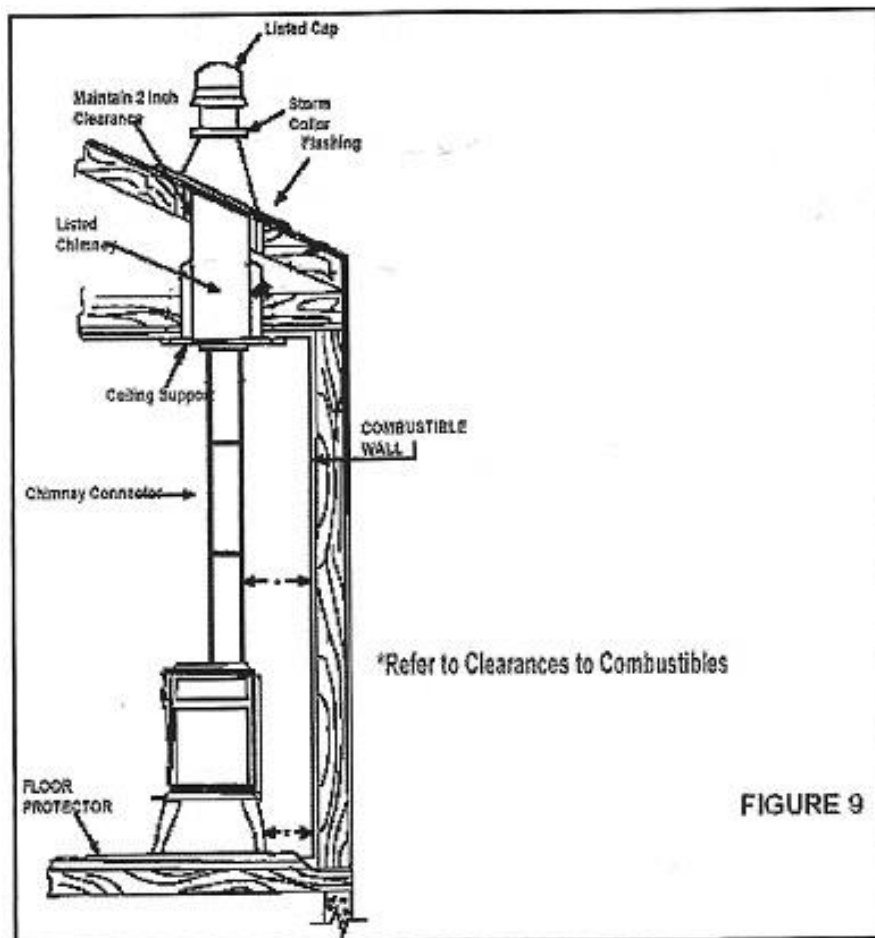


Antiquestoves
.com
.us

Factory-Built Chimney

When a prefabricated metal chimney is used, the manufacturer's installation instructions must be followed. You must also purchase (from the same manufacturer) and install the ceiling support package or wall pass-through and "T" section package, firestops (where needed), insulation shield, roof flashing, chimney cap, etc. Maintain proper clearance to the structure as recommended by the manufacturer.

The chimney must be the required height above the roof or other obstructions for safety and proper draft operation.



There are listed kits available to connect a stove to a masonry fireplace. The kit is an adapter that is installed at the location of the fireplace damper. The existing damper may have to be removed to allow installation.

REPLACEMENT PARTS LIST

Parts List	
Item	Description
67	Fire Brick
68	Half Brick
69	Grate
70	Third Brick
73	Brick Retainer
74	Brick Retainer Back
77	Outside Brick Retainer
Oven racks	Oven racks
Towel Bars	Towel Bars

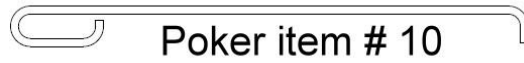
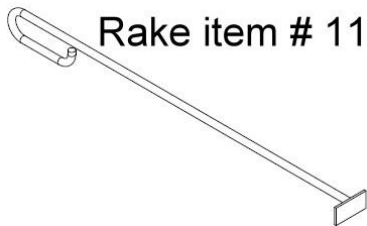
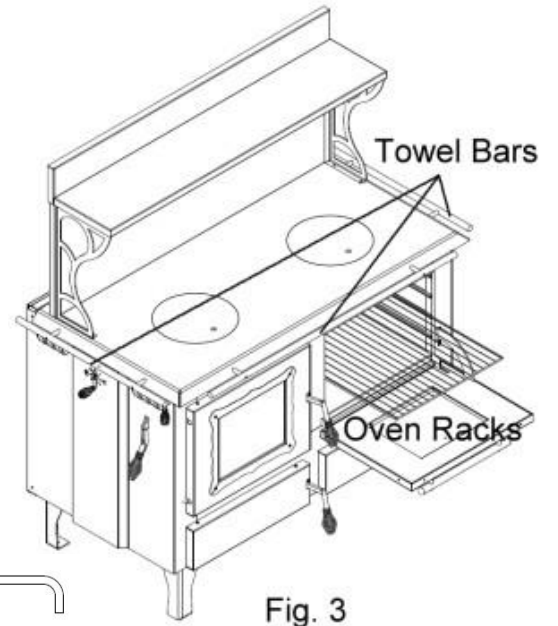
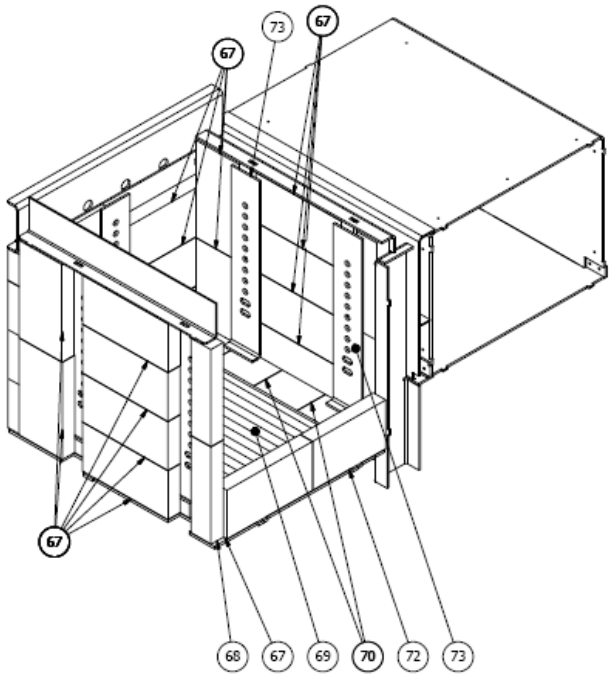
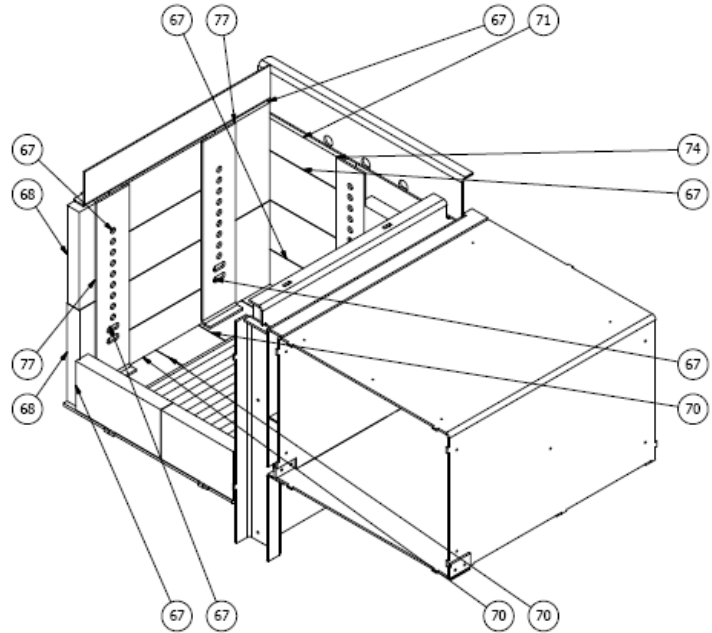


Fig. 3

TWO YEAR WARRANTY

Kitchen Queen 550-750

Grand Comfort, Warm Comfort, Ranger, Cabin Comfort, Castle Comfort, Grand Queen, Regal Comfort, Comfort Queen, Royal Queen, Models

CONSUMER WARRANTY

ENTIRE PRODUCT – LIMITED TWO YEAR WARRANTY

Kitchen Queen warrants the replacement or repair of all parts of this Wood Cookstove which prove to be defective in material or workmanship, with the exception of the painted or porcelain enamel finish or plated surfaces, glass parts, for 2 years from the date of original purchase. Such parts will be repaired or replaced at the option of Kitchen Queen without charge, subject to the terms and conditions set out below.

The warranty period against defects in the painted or porcelain enamel finish, or plated surfaces, glass parts is 30 days from date of original purchase.

The warranty does not include normal wear of firebox parts or gaskets or glass parts.

TERMS AND CONDITIONS

1. This warranty applies only for single family domestic use when the Wood Cookstove has been properly installed according to the instructions supplied by Kitchen Queen and is connected to an adequate and proper chimney and chimney connections. Damage due to faulty installation, improper usage and care, abuse, accident, fire, flood, acts of God, commercial, business or rental use, and alteration, or the removal or defacing of the serial plate, alterations on the stove, use of after market parts cancels all obligations of this warranty. Service during this warranty must be performed by a factory Authorized Service Person.
2. Warranty applies to product only in the country in which it was purchased.
3. Kitchen Queen is not liable for any claims or damages resulting from any failure of the Wood Cookstove or from service delays beyond their reasonable control.
4. To obtain warranty service, the original purchaser must present the original Bill of Sale, Model and Serial number. Components repaired or replaced are warranted through the remainder of the original warranty period only.
5. The warranty does not cover expense involved in making this appliance readily accessible for servicing.
6. This warranty gives you specific legal rights. Additional warranty rights may be provided by law in some areas.
7. Adjustments such as calibrations, leveling, tightening of fasteners, or chimney and chimney connections normally associated with original installation are the responsibility of the dealer or installer and not that of the Company.
8. Over firing of this appliance will void warranty.

9. Use of any material other than wood for fuel will void warranty.

10. If the product is installed outside the normal service area, any cost of transportation expenses (tolls, ferry trip charges, or mileage expenses, etc.) involved in the repair of the product, or the replacement of a defective part, shall be borne by the customer (owner).

TO ENSURE PROMPT WARRANTY SERVICE, SEND IN YOUR WARRANTY CARD WITHIN 10 DAYS OF PURCHASE.

If further help is needed concerning this warranty, contact:
Customer Service

Kitchen Queen

P.O. Box 751 Knoxville, TN 37901

Phone (865)-524-4113

PLACE OF PURCHASE _____

DATE OF PURCHASE _____

SERIAL NUMBER _____

MODEL NUMBER _____